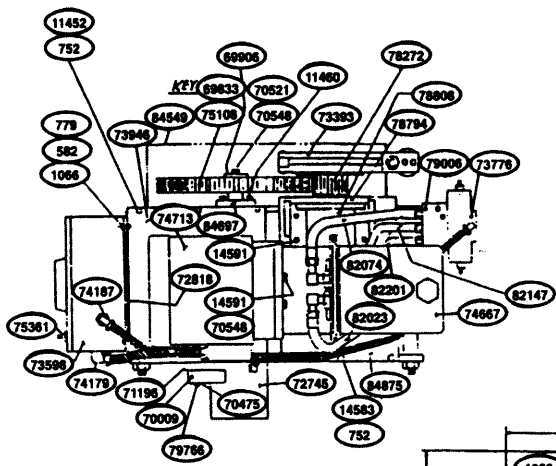
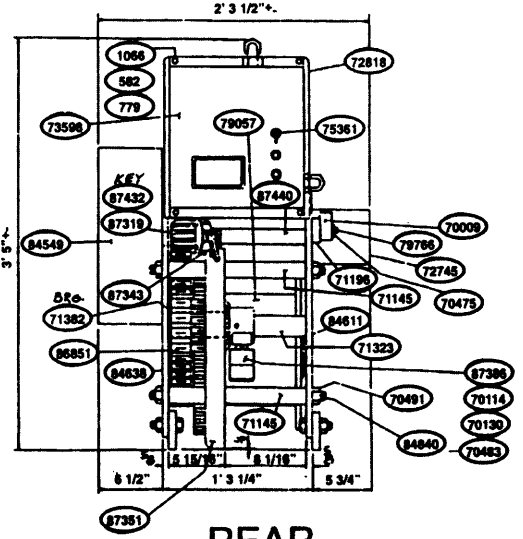
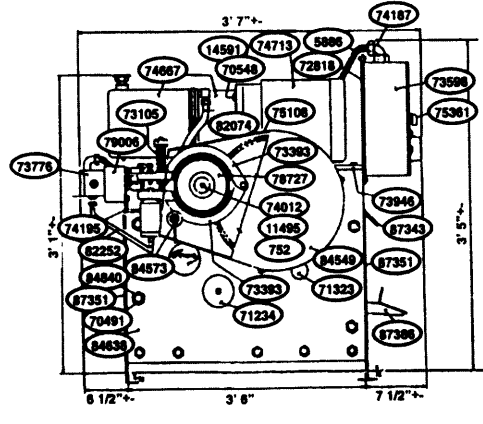


20 TON HYDRA - ELECTRIC WINCH



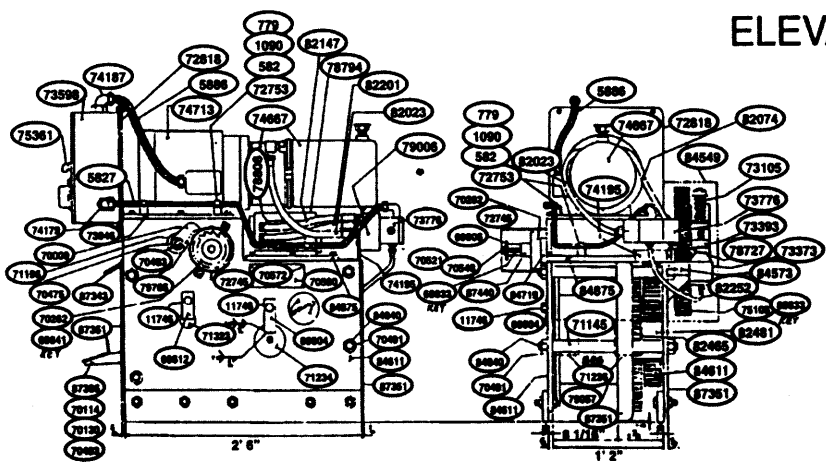
LEFT SIDE ELEVATION

PLAN



REAR ELEVATION

RIGHT SIDE ELEVATION



FRONT ELEVATION

Boudreaux meets a man on his Hawaiian vacation.
 Boudreaux goes to Hawaii on vacation.
 Down at de pool, a man sits down next to Boudreaux. Boudreaux says. "Hey, how you doing? My name is Boudreaux and I'm here on vacation. My house caught eetself on fire. I got a leettle extra from de insurance company. Dat's how I came here on dis vacation." "Well that's interesting," responded the man "I'm here from California. My house flooded. I used the extra insurance money for this vacation."
 "Mais dats good," said Boudreaux "but let me axe you one ting. How de heck did you start de flood?"