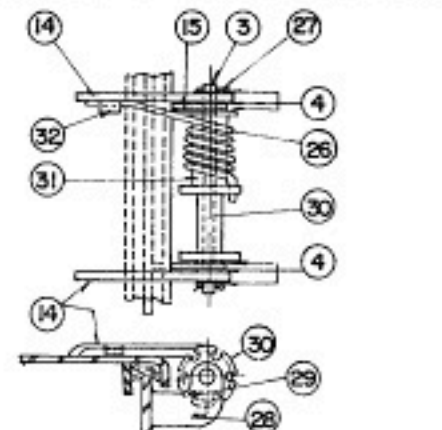
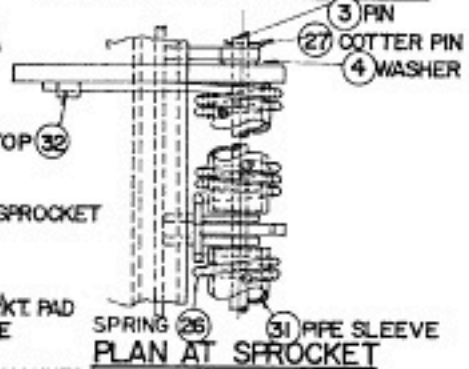


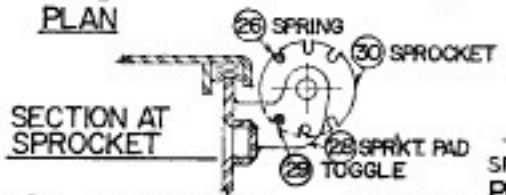
PLAN



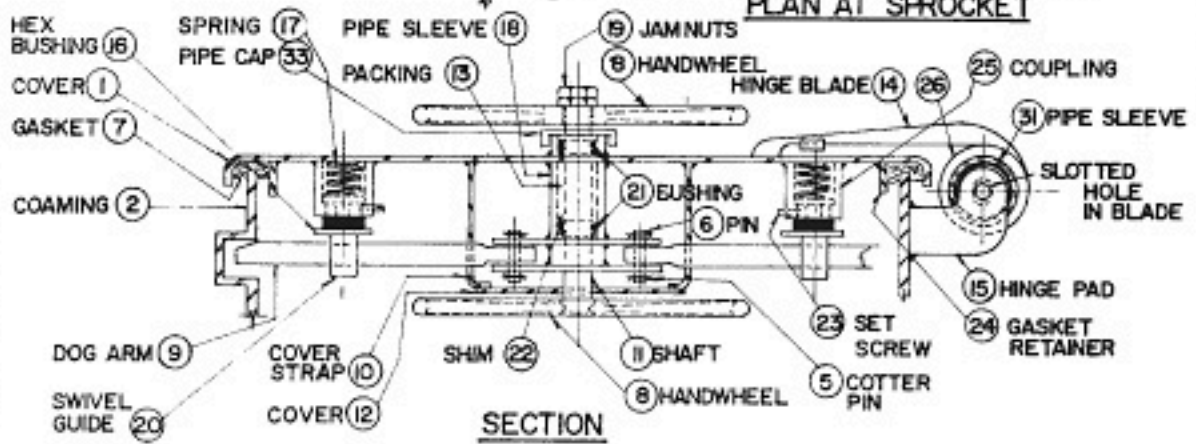
ALTERNATE SINGLE SPRING



PLAN AT SPROCKET



SECTION AT SPROCKET



SECTION

SCHEDULE OF MATERIAL

PC. NO.	MATERIAL	REMARKS
1	MILD STEEL	
2	MILD STEEL	
3	COLD FINISH	
4	BRASS	
5	BRASS	
6	BRASS	
7	NEOPRENE	
8	MILD STEEL	
9	MILD STEEL	
10	MILD STEEL	
11	COLD FINISH	
12	MILD STEEL	
13	GRAPHITE	
14	MILD STEEL	
15	MILD STEEL	
16	MILD STEEL	
17	SPRING STEEL	
18	MILD STEEL	
19	MILD STEEL	
20	BRASS	
21	DEL RIN	
22	BRASS	
23	STEEL	
24	MILD STEEL	
25	MILD STEEL	
26	SPRING STEEL	
27	BRASS	
28	MILD STEEL	
29	MILD STEEL	
30	MILD STEEL	
31	MILD STEEL	
32	MILD STEEL	
33	MILD STEEL	

Byrne, Rice & Turner
www.BRTMarine.com
 800-725-3787

BYRNE, RICE & TURNER, INC.
 NEW ORLEANS, LOUISIANA
 SPRING BAL. QUICK ACT. WATERTIGHT HATCH
 DRAWING NO. 202