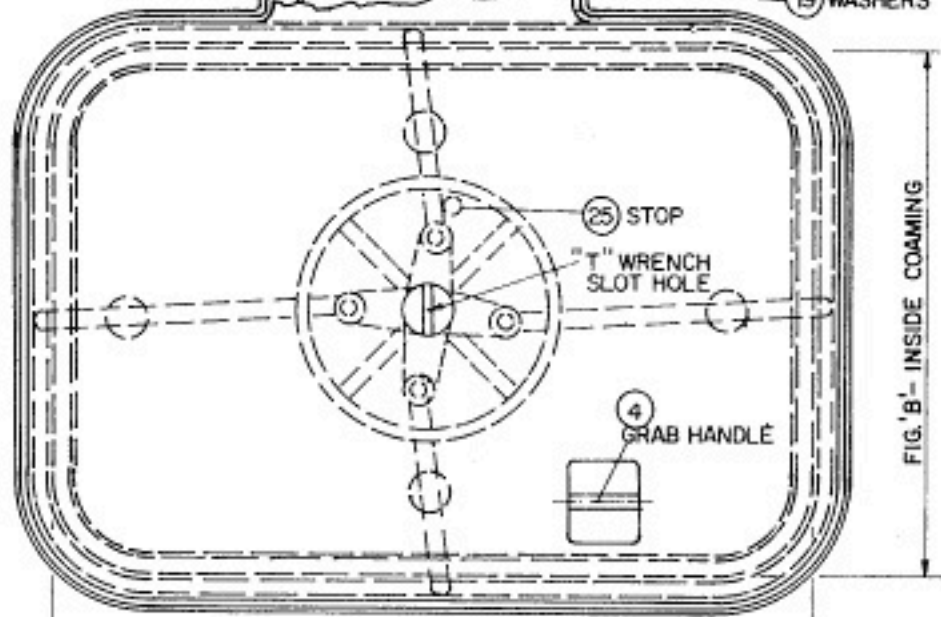
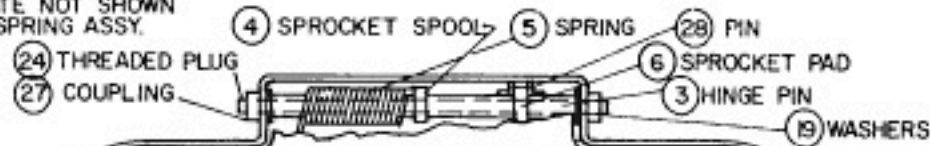
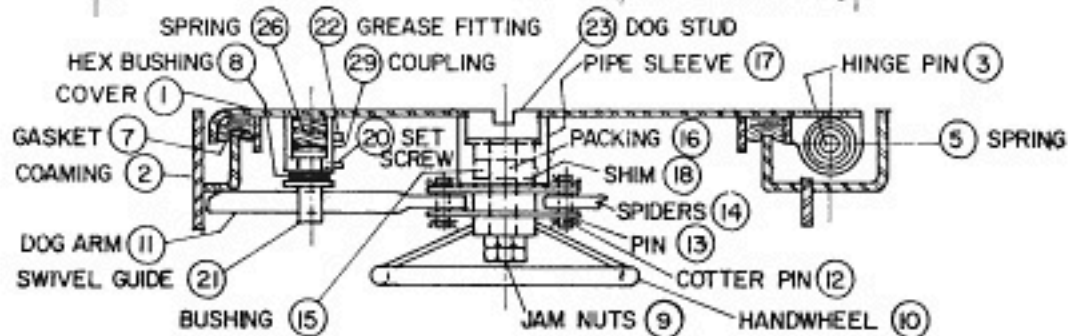


COVER PLATE NOT SHOWN
TO SHOW SPRING ASSY.



PLAN

FIG. 'A' - INSIDE COAMING



SECTION

SCHEDULE OF MATERIALS

PC. NO.	MATERIAL	REMARKS
1	MILD STEEL	
2	MILD STEEL	
3	COLD FINISH	
4	MILD STEEL	
5	SPRING STL.	
6	MILD STEEL	
7	NEOPRENE	
8	MILD STEEL	
9	STEEL	
10	ALUMINIUM	
11	COLD FINISH	
12	STAINLESS	
13	BRASS	
14	MILD STEEL	
15	DELRIIN	
16	GRAPHITE	
17	COLD FINISH	
18	STAINLESS	
19	STAINLESS	
20	MILD STEEL	
21	BRASS	
22	PLATED	
23	BRASS	
24	MILD STEEL	
25	MILD STEEL	
26	SPRING STL.	
27	MILD STEEL	
28	MILD STEEL	
29	MILD STEEL	

Byrne, Rice & Turner
www.BRTMarine.com
800-725-3787

BYRNE, RICE & TURNER, INC.

NEW ORLEANS, LOUISIANA

QUICK ACTING WATERTIGHT FLUSH HATCH
WITH RECESSED SPRING

DRAWING NO. 219