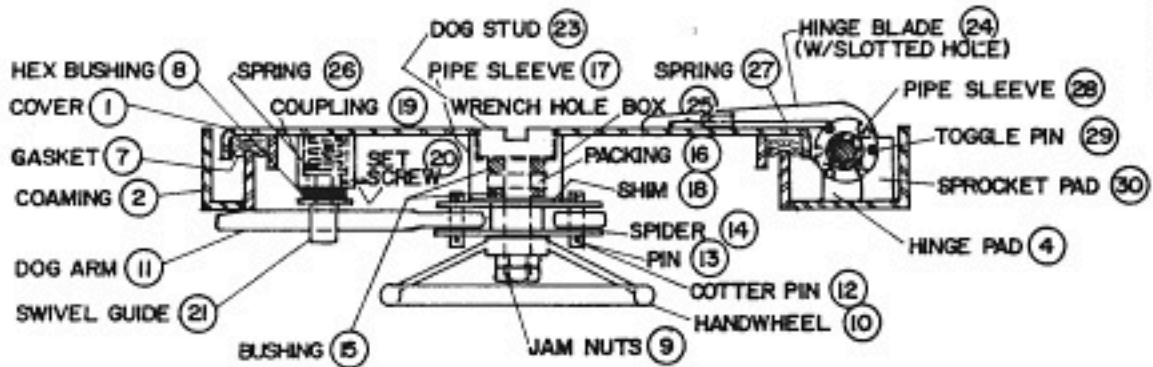


PLAN



SECTION

**SCHEDULE OF MATERIALS**

PC. NO.	MATERIAL	REMARKS
1	MILD STEEL	
2	MILD STEEL	
3	MILD STEEL	
4	MILD STEEL	
5	COLD FINISH	
6	STEEL	
7	NEOPRENE	
8	MILD STEEL	
9	MILD STEEL	
10	MILD STEEL	
11	MILD STEEL	
12	BRASS	
13	COLD FINISH	
14	MILD STEEL	
15	DELTRIN	
16	GRAPHITE	
17	MILD STEEL	
18	BRASS	
19	MILD STEEL	
20	MILD STEEL	
21	BRASS	
22	BRASS	
23	BRASS	
24	MILD STEEL	
25	MILD STEEL	
26	SPRING STEEL	
27	SPRING STEEL	
28	MILD STEEL	
29	MILD STEEL	
30	MILD STEEL	
31	MILD STEEL	

**Byrne, Rice & Turner**  
[www.BRTMarine.com](http://www.BRTMarine.com)  
 800-725-3787

**BYRNE, RICE & TURNER, INC.**  
 NEW ORLEANS, LOUISIANA  
 QUICK ACTING WATERTIGHT FLUSH SCUTTLE  
 DRAWING NO. 403