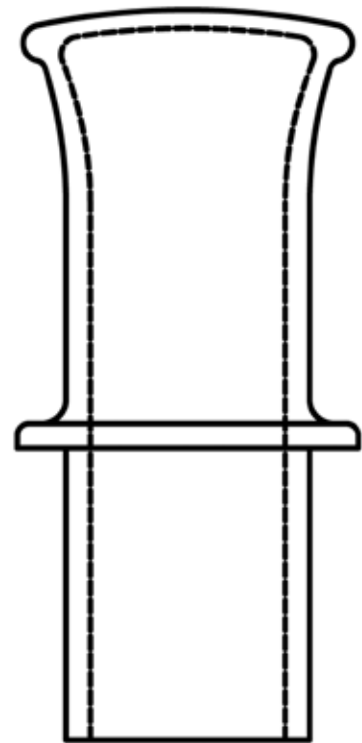


BITTS

NABRICO offers a wide range of cast steel bitts needed for proper and efficient marine duties. All castings are produced using A27 cast steel and are normally supplied raw from the foundry. While castings are usually preferred in this state, NABRICO has the capability to blast and paint with a zinc primer or provide most castings in Stainless Steel. Bitts are available in a variety of styles and sizes that include: single bitt, single thru deck, single thru deck with horn, fabricated single, fabricated cruciform and double bitts with or without horns. Whatever the job, NABRICO has a bitt that meets your needs.

BITTS

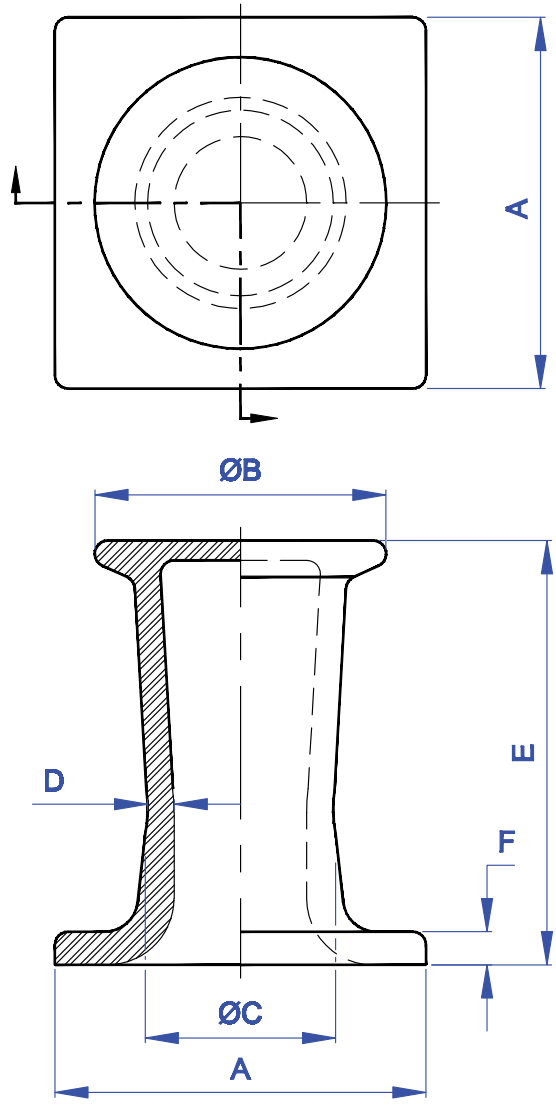
SINGLE	158
SINGLE THRU DECK	160
SINGLE THRU DECK W/ HORN	161
FABRICATED SINGLE	162
FABRICATED CRUCIFORM	163
DOUBLE	164



BR

BITTS

CAST STEEL SINGLE BITT



MODEL No.	PART No.	SIZE	A	ØB	ØC	D	E	F	WT. (lbs.)
DF-SB8	87971	8"	14"	11"	7"	1"	16"	1-1/4"	160

“The Bible is the best of all books, for it is the word of God and teaches us the way to be happy in this world and in the next. Continue therefore to read it and to regulate your life by its precepts.”

—John Jay*

*Founding Father of the United States, first Chief Justice of the Supreme Court, and second Governor of New York.



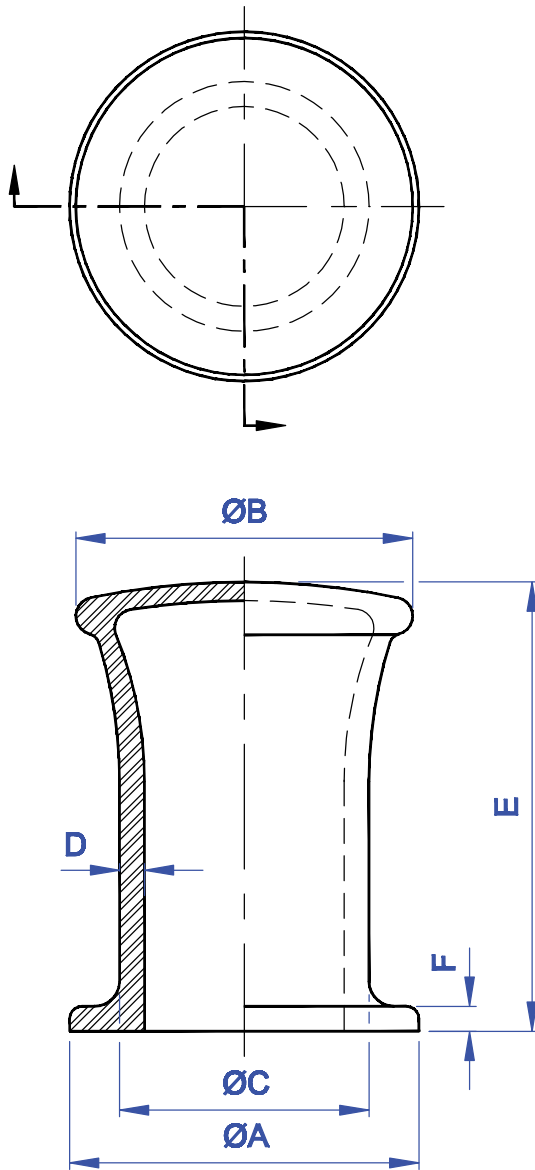
brtmarine.com 800-725-3787

PROUD DISTRIBUTOR OF **NABRICO**

The specifications and details described by drawings or text in this literature are subject to change without notice.

CAST STEEL SINGLE BITT

BR



BITTS

MODEL No.	PART No.	SIZE	ØA	ØB	ØC	D	E	F	WT. (lbs.)
DF-SB10	20230	10"	14"	13-1/2"	10"	1"	18"	1"	190

"I'm also a conscious capitalist—I believe economic freedom and entrepreneurship are the best ways to end poverty, increase prosperity, and evolve humanity upward. I believe that all forms of socialism have been proven over time to result in a loss of both economic and civil liberties, with increasing poverty."

—John Mackey

PROUD DISTRIBUTOR OF 
NABRICO

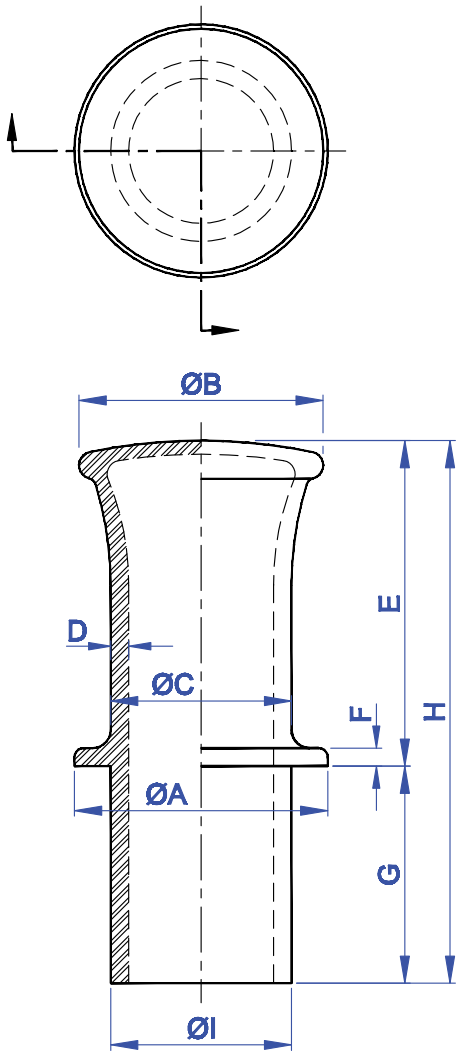
brtmarine.com 800-725-3787



The specifications and details described by drawings or text in this literature are subject to change without notice.

BR

CAST STEEL THRU DECK SINGLE BITT



BITTS

MODEL No.	PART No.	SIZE	ØA	ØB	ØC	D	E	F	G	H	ØI	WT. (lbs.)
DF-530	21555	8"	14"	12"	8"	1"	16"	1"	11"	27"	10-1/4"	260
DF-530	20231	10"	14"	13-1/2"	10"	1"	18"	1"	12"	30"	10"	300

“Liberty cannot be preserved without a general knowledge among the people, who have a right...and a desire to know; but besides this, they have a right, an indisputable, unalienable, indefeasible, divine right to that most dreaded and envied kind of knowledge, I mean of the characters and conduct of their rulers.”

—John Adams



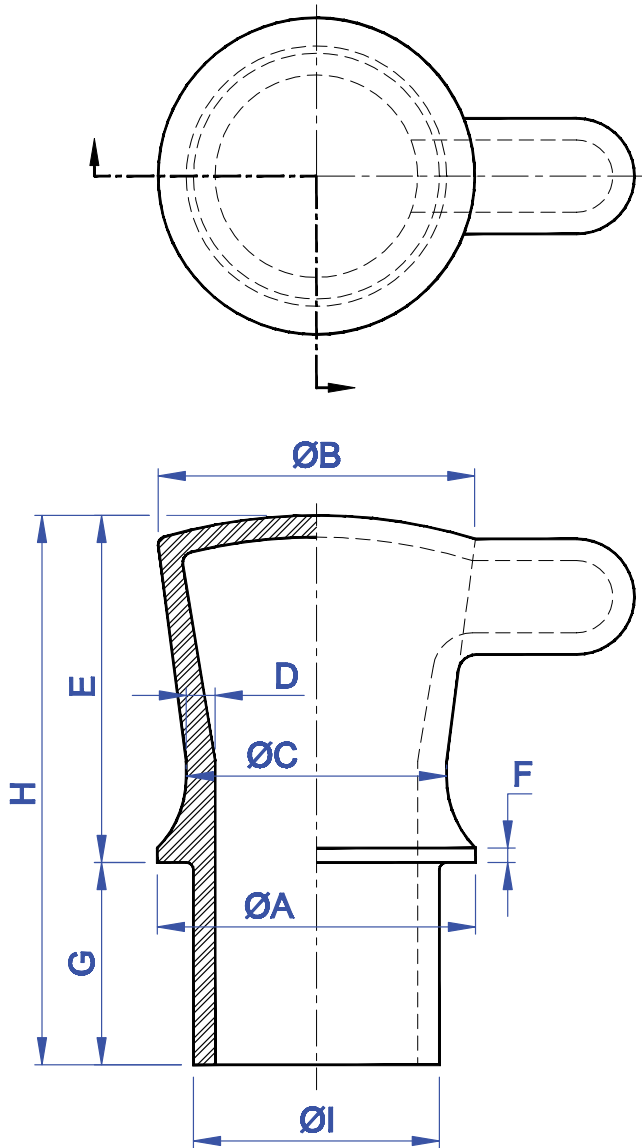
brtmarine.com 800-725-3787

PROUD DISTRIBUTOR OF 
NABRICO

The specifications and details described by drawings or text in this literature are subject to change without notice.

CAST STEEL THRU DECK SINGLE BITT

BR



BITTS

MODEL No.	PART No.	SIZE	ØA	ØB	ØC	D	E	F	G	H	ØI	WT. (lbs.)
DF-532	21660	9"	11"	11"	9"	3/4"	12"	1/2"	7"	19"	8-1/2"	155

"I have lived by one crucial principle since I was 24 years old. I don't blame or complain about things like the economy, the government, taxes, employees, gas prices, or any of the external things that I don't have control over. The only thing I have control over is my response to these things."

—Jack Canfield

PROUD DISTRIBUTOR OF 
NABRICO

brtmarine.com 800-725-3787

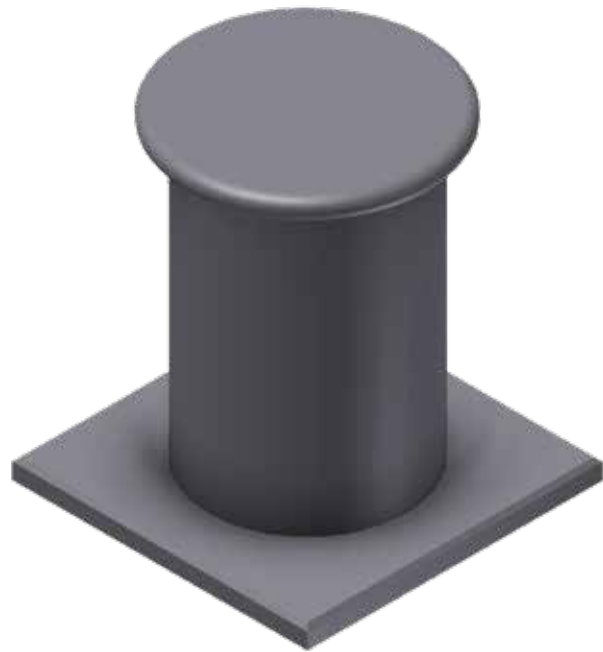
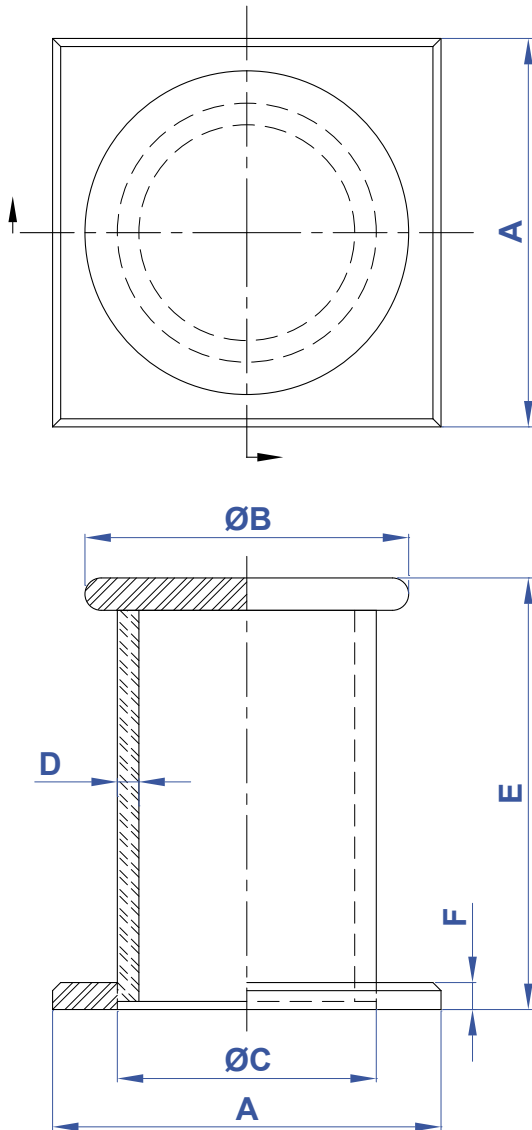


The specifications and details described by drawings or text in this literature are subject to change without notice.

BR

FABRICATED STEEL SINGLE BITT

BITTS



MODEL No.	PART No.	SIZE	A	ØB	ØC	D	E	F	WT. (lbs.)
DF-55	13820	12"	18"	15"	12"	1"	20"	1-1/4"	330

“Capitalism is the most cooperative system ever created for the peaceful improvement of peoples’ lives. It has only a single fatal flaw: It doesn’t feel like it. The market system is so good at getting people—from all over the world—to work together that we barely notice how much we’re cooperating.”

—Jonah Goldberg



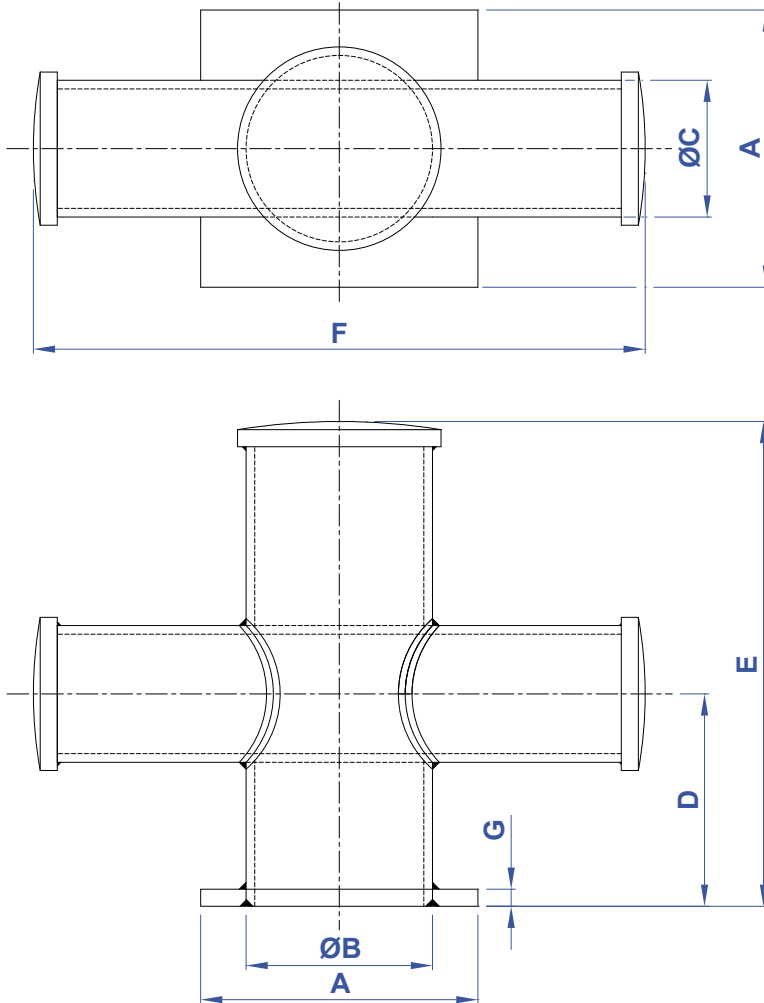
brtmarine.com 800-725-3787

PROUD DISTRIBUTOR OF
NABRICO

The specifications and details described by drawings or text in this literature are subject to change without notice.

FABRICATED STEEL CRUCIFORM BITT

BR



BITTS

MODEL No.	PART No.	SIZE	A	ØB	ØC	D	E	F	G	WT. (lbs.)
DF-65	21552	10"	16"	10-3/4"	7-7/8"	12-1/4"	28"	35-1/4"	1"	465

“It is the common error of Socialists to overlook the natural indolence of mankind; their tendency to be passive, to be the slaves of habit, to persist indefinitely in a course once chosen. Let them once attain any state of existence which they consider tolerable, and the danger to be apprehended is that they will thenceforth stagnate; will not exert themselves to improve, and by letting their faculties rust, will lose even the energy required to preserve them from deterioration. Competition may not be the best conceivable stimulus, but it is at present a necessary one, and no one can foresee the time when it will not be indispensable to progress.”

—John Stuart Mill

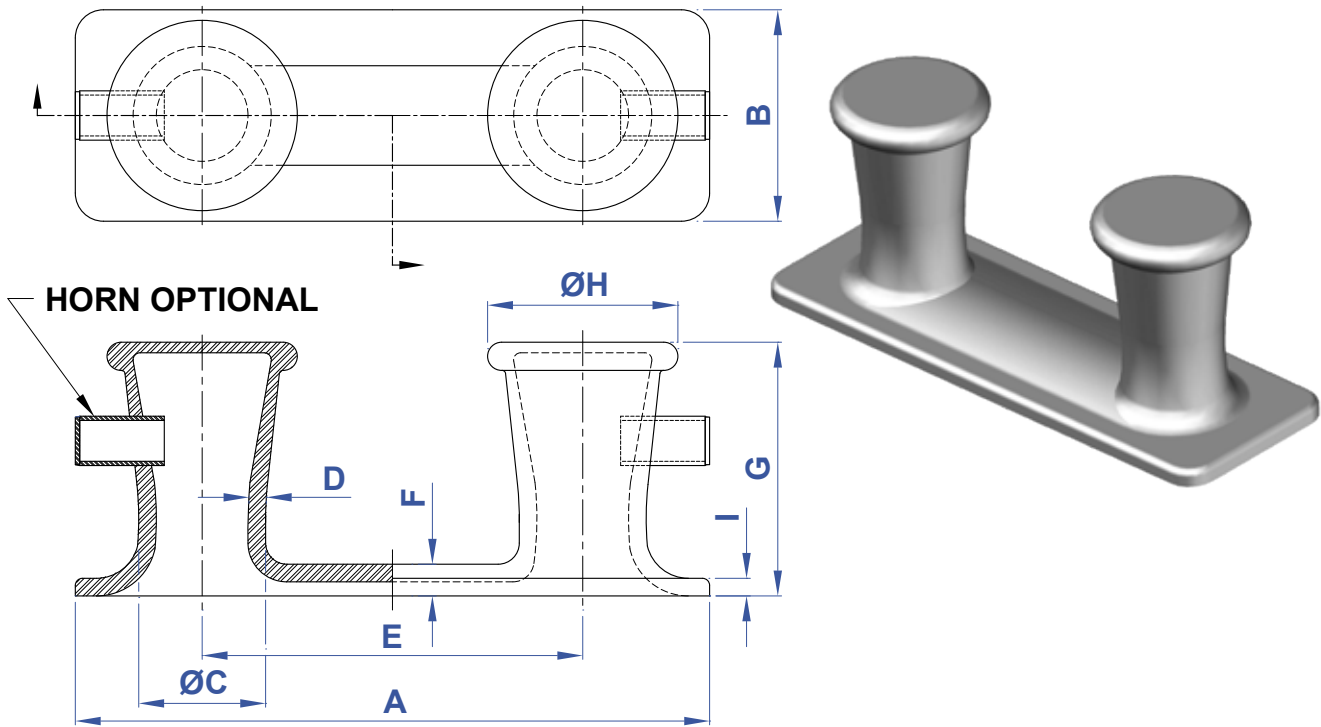
PROUD DISTRIBUTOR OF 
NABRICO

brtmarine.com 800-725-3787



The specifications and details described by drawings or text in this literature are subject to change without notice.

CAST STEEL DOUBLE BITT



MODEL No.	PART No.	SIZE	A	B	ØC	D	E	F	G	ØH	I	WT. (lbs.)
DF- 2	7005	8"	40"	14"	7"	1"	24"	2"	16"	11"	1-1/4"	375
DF- 2A	20281	8" W/ Horns	40"	14"	7"	1"	24"	2"	16"	11"	1-1/4"	385
DF- 40	6858	10"	45"	15"	9"	1-1/4"	27"	2-1/4"	18"	13-1/2"	1-1/4"	545
DF- 40A	77054	10" W/ Horns	45"	15"	9"	1-1/4"	27"	2-1/4"	18"	13-1/2"	1-1/4"	560

1. HORNS NOT SHOWN ON DOUBLE BITT MODEL.

“The right of the citizens to keep and bear arms has justly been considered, as the palladium of the liberties of a republic; since it offers a strong moral check against the usurpation and arbitrary power of rulers; and will generally, even if these are successful in the first instance, enable the people to resist and triumph over them.”

—Joseph Story



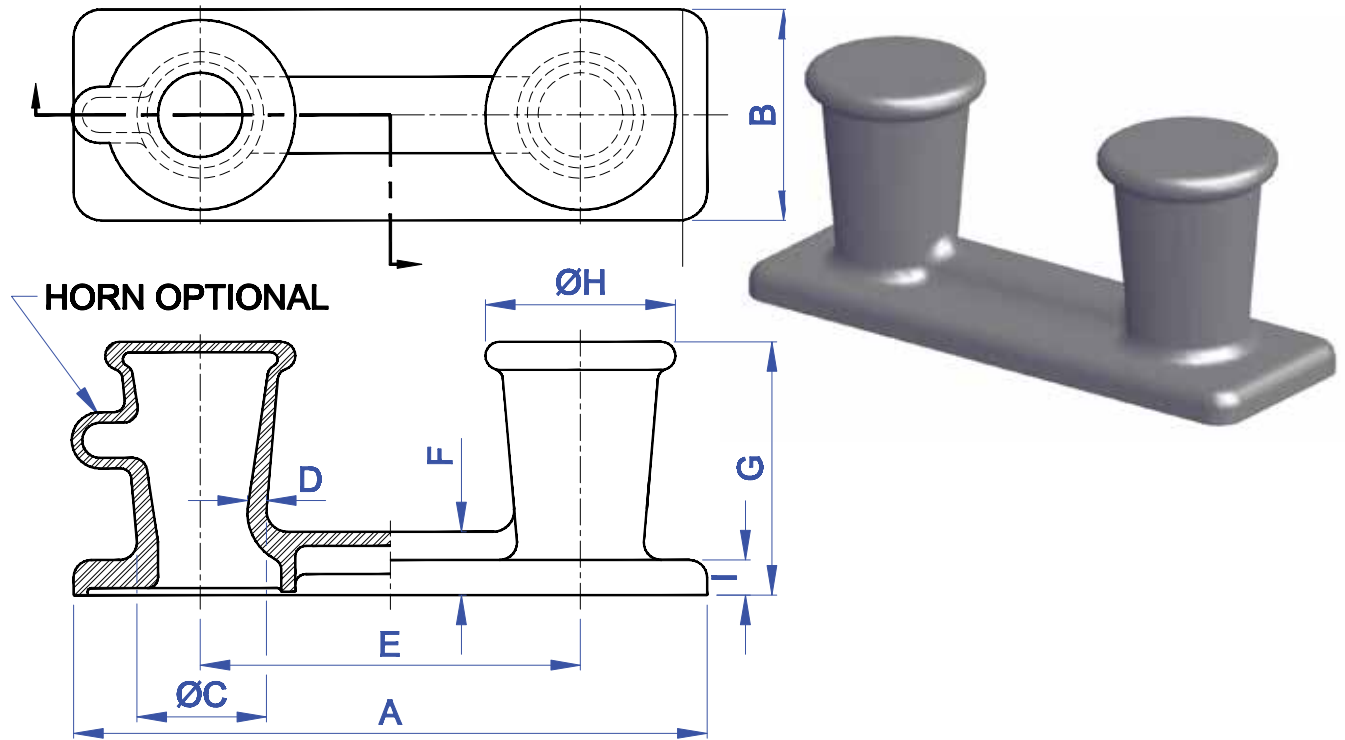
brtmarine.com 800-725-3787

PROUD DISTRIBUTOR OF
NABRICO

The specifications and details described by drawings or text in this literature are subject to change without notice.

CAST STEEL HEAVY DOUBLE BITT

BR



MODEL No.	PART No.	SIZE	A	B	ØC	D	E	F	G	ØH	I	WT. (lbs.)
DF-537	89648	10"	45"	15"	9"	1-1/2"	27"	4-1/2"	18"	13-1/2"	2-1/2"	625
DF-537A	90034	10" W/ HORN	45"	15"	9"	1-1/2"	27"	4-1/2"	18"	13-1/2"	2-1/2"	635
DF-537AA	90036	10" W/ HORNS	45"	15"	9"	1-1/2"	27"	4-1/2"	18"	13-1/2"	2-1/2"	645

1. HORNS NOT SHOWN ON DOUBLE BITT MODEL.

“The militia is the natural defence of a free country against sudden foreign invasions, domestic insurrections and domestic usurpations of power by rulers. It is against sound policy for a free people to keep up large military establishments and standing armies in time of peace both from the enormous expenses with which they are attended and the facile means which they afford to ambitious and unprincipled rulers to subvert the government or trample upon the rights of the people. The right of the citizens to keep and bear arms has justly been considered as the palladium of the liberties of a republic since it offers a strong moral check against the usurpation and arbitrary power of rulers and will generally even if these are successful the first instance enable the people to resist and triumph over them.”

—Justice Joseph Story

PROUD DISTRIBUTOR OF 
NABRICO

brtmarine.com 800-725-3787

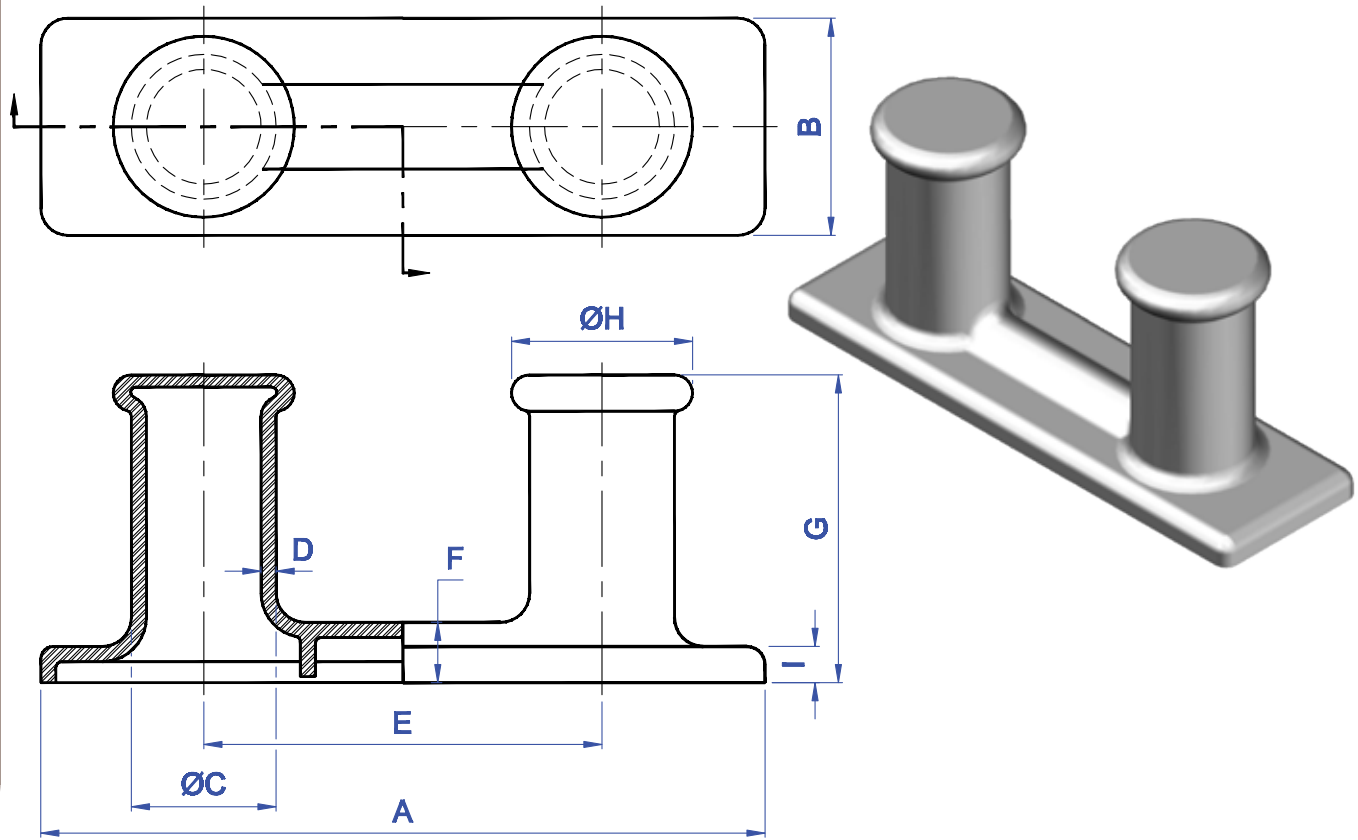


The specifications and details described by drawings or text in this literature are subject to change without notice.

BR

CAST STEEL HEAVY DOUBLE BITT

BITTS



MODEL No.	PART No.	SIZE	A	B	ØC	D	E	F	G	ØH	I	WT. (lbs.)
DF-491	89362	12"	60"	18"	12"	1-1/4"	33"	5"	25-1/2"	15"	3"	990
DF-498	21164	14"	66"	21"	14"	1-1/2"	40"	5-1/2"	29-3/4"	17-1/2"	3-1/2"	1780
DF-499	21168	16"	76"	24"	16"	1-3/4"	46"	7-3/16"	34"	20"	4"	2500

“The champions of socialism call themselves progressives, but they recommend a system which is characterized by rigid observance of routine and by a resistance to every kind of improvement. They call themselves liberals, but they are intent upon abolishing liberty. They call themselves democrats, but they yearn for dictatorship. They call themselves revolutionaries, but they want to make the government omnipotent. They promise the blessings of the Garden of Eden, but they plan to transform the world into a gigantic post office. Every man but one a subordinate clerk in a bureau. What an alluring utopia! What a noble cause to fight!”

—Ludwig von Mises



brtmarine.com 800-725-3787

PROUD DISTRIBUTOR OF
NABRICO

The specifications and details described by drawings or text in this literature are subject to change without notice.