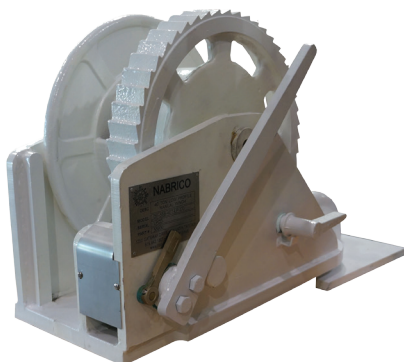
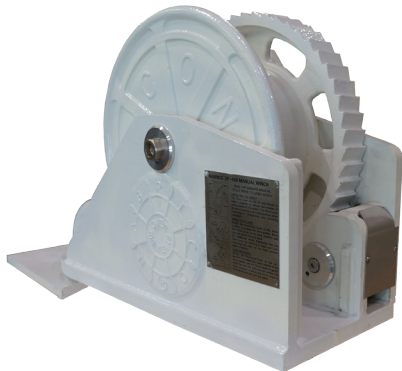


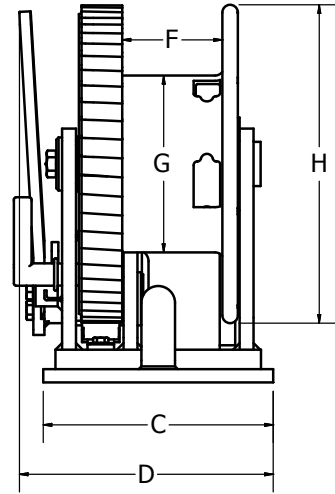
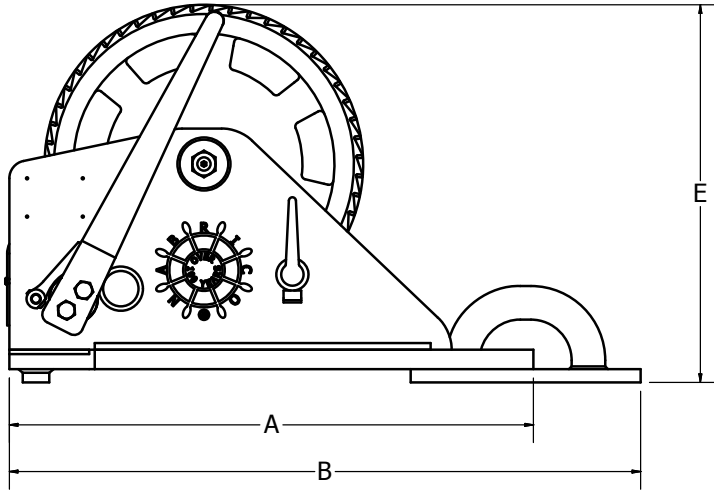
EVERYTHING YOU NEED FROM THE DECK UP



DF-559 CAST DRUM WINCH Features & Specifications

- Ultra low profile
- Simple to use
- Low cost, easy maintenance
- Rope drum wedge wire attachment
- Nodular iron drum
- 4140 High strength steel drive system
- Precision investment cast components
- SS, bronze and hard chromed moving parts
- Aftermarket parts for other winches in-stock

MODEL NO.	MOUNT	HOLDING DOG & OR BRAKE	LINE PULL @ FIRST LAYER (LBS)	DRUM CAPACITIES (FT)		WEIGHT LBS
		S. TONS	RACHET W/ STANDARD EXTENSION ONE MAN	7/8"	1"	
DF-559-40	PADEYE	40	12,000 (est.)	70	40	462



DIMENSIONAL DATA (IN)							
A	B	C	D	E	F	G	H
29-5/8	35-11/16	13	14-3/8	21-3/8	5-2/3	10	18